

Features:

- Vitreous china
- Front overflow
- Unglazed undermount rim
- Easy installation
- Mounting clips included
- Installed Dimensions: 19½”L x 16½”W x 8”H



Codes/Standards Applicable:

IAPMO/UPC
ASME A112.19.2
ISO 9002 Certified

Available Colors:

- | | |
|-----------|---------------------|
| .01 White | .13 Black |
| .02 Bone | .82 German Bronze* |
| .06 Balsa | .90 Antique Copper* |

* Custom product – please contact Customer Service for availability

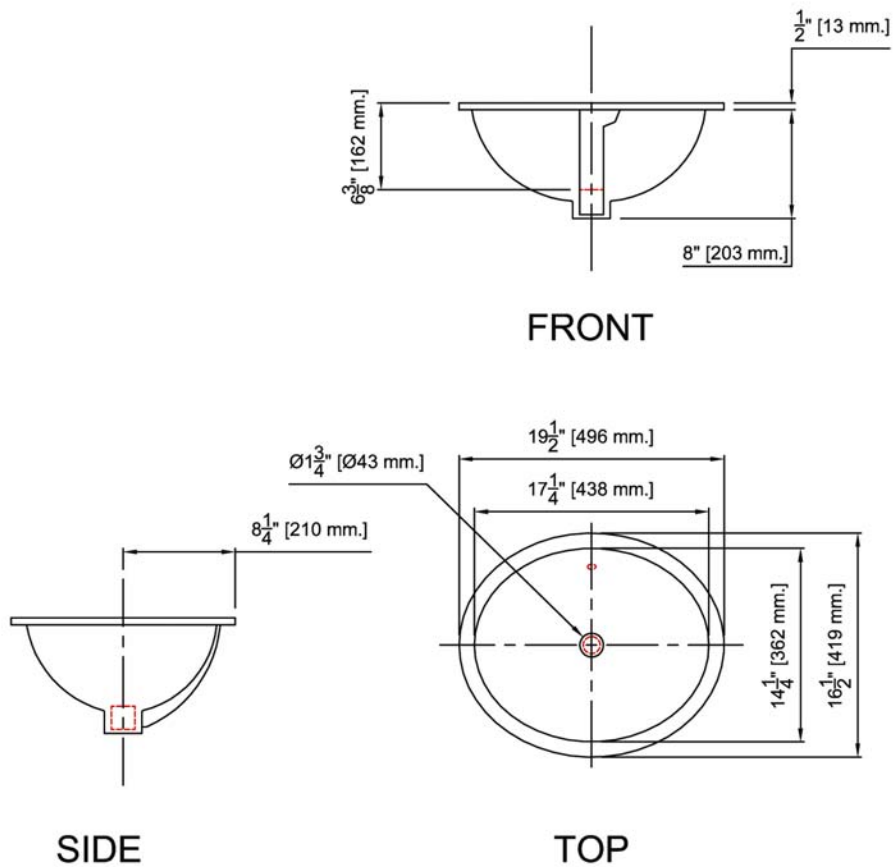
Specified Model

Model	Description	Colors:
1061.000	Undermount Lavatory, unglazed rim	<input type="checkbox"/> .01 White <input type="checkbox"/> .02 Bone <input type="checkbox"/> .06 Balsa <input type="checkbox"/> .13 Black Custom Metal Finishes: <input type="checkbox"/> .82 German Bronze <input type="checkbox"/> .90 Antique Copper
Accessories:		
Refer to catalog and/or price book for faucet options		

Product Specification:

The undermount lavatory shall be 19½” in length, 16½” in width, and 8” in height. Undermount lavatory shall be made of vitreous china. Undermount lavatory shall have overflow. Undermount lavatory shall be St. Thomas Creations model 1061.000.

Fixture:		Included Components:	
		Lavatory	1061.000
Drain Hole	1 3/4"		
Faucet Holes	n/a		
Packaging Dimensions:		Weight:	
Lavatory	20 1/2"L x 17 1/2"W X 10 1/2"H	17.0	



These measurements are subject to change or cancellation. No responsibility will be assumed for use of superseded or voided pages.