

Features:

- Vitreous china
- Front overflow
- Faucet deck
- 8" Faucet center
- Classical design with detailed backsplash and fluted pedestal
- Enhanced height (over 34" at basin front rim)
- Backsplash
- Complete with mounting kit
- Easy installation
- Installed Dimensions: 23 5/8"L x 17 1/4"W x 36 1/8"H



Codes/Standards Applicable:

IAPMO/UPC
ASME A112.19.2

Available Colors:

- .01 White
- .02 Bone
- .06 Balsa
- .13 Black

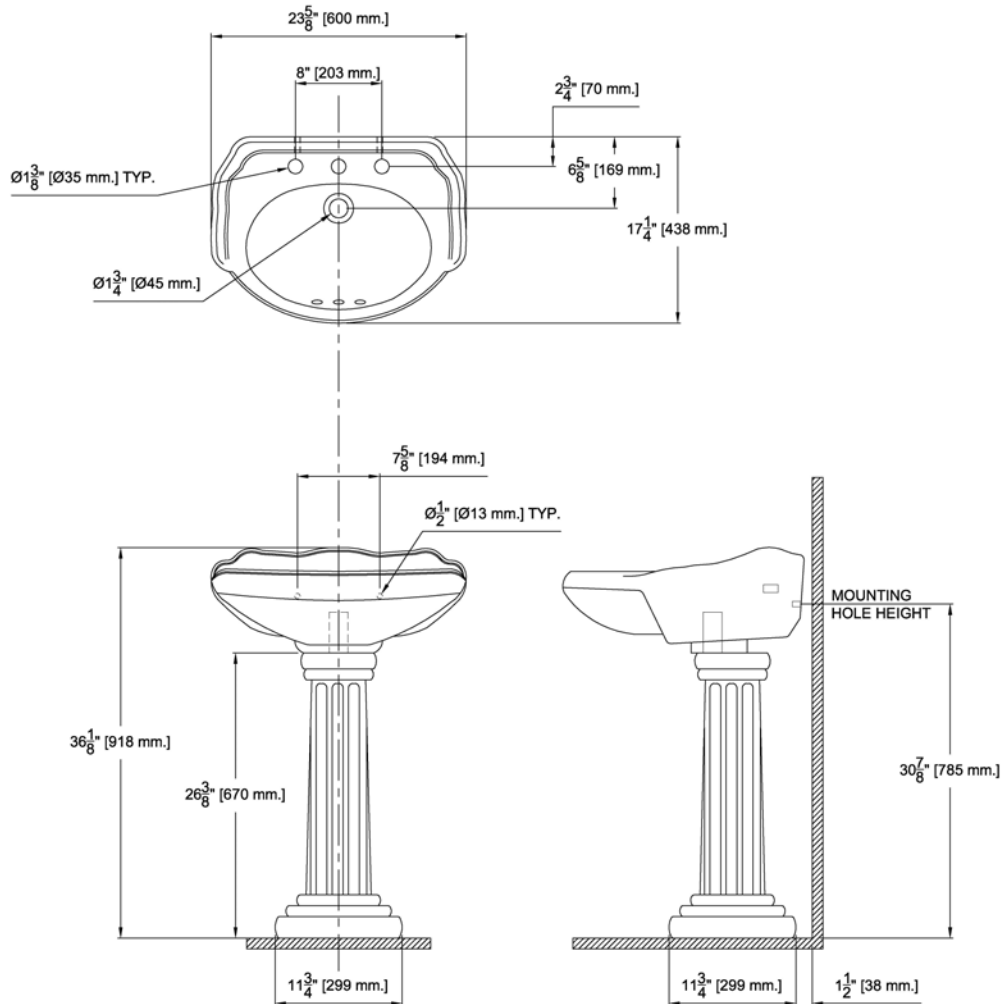
Specified Model

Model	Description	Colors:
5128.080	Pedestal Lavatory	<input type="checkbox"/> .01 White <input type="checkbox"/> .02 Bone <input type="checkbox"/> .06 Balsa <input type="checkbox"/> .13 Black
Accessories:		
Refer to catalog and/or price book for faucet options		

Product Specification:

The pedestal lavatory shall be 23 5/8" in length, 17 1/4" in width, and 36 1/8" in height. Pedestal lavatory shall be made of vitreous china. Pedestal lavatory shall have 8" centers. Pedestal lavatory shall have overflow. Pedestal lavatory shall be St. Thomas Creations model 5128.080.

Fixture:		Included Components:	
		Lavatory	5128.082
		Pedestal	5120.331
Drain Hole	1 3/4"		
Faucet Holes	1 3/8"		
Packaging Dimensions:		Weight:	
Lavatory	25 1/2" L x 13" W X 19" H	35.0	
Pedestal	18" L X 12 1/2" W X 12 1/2" H	27.0	



These measurements are subject to change or cancellation. No responsibility will be assumed for use of superseded or voided pages.