

Features:

- Vitreous china
- Front overflow
- Unglazed undermount rim
- Easy installation
- Mounting clips included
- Installed Dimensions: 19¼”L x 16¼”W x 8 1/8”H



Codes/Standards Applicable:

IAPMO/UPC
ASME A112.19.2
ISO 9002 Certified

Available Colors:

- | | |
|-----------|---------------------|
| .01 White | .13 Black |
| .02 Bone | .82 German Bronze* |
| .06 Balsa | .90 Antique Copper* |

* Custom product – please contact Customer Service for availability

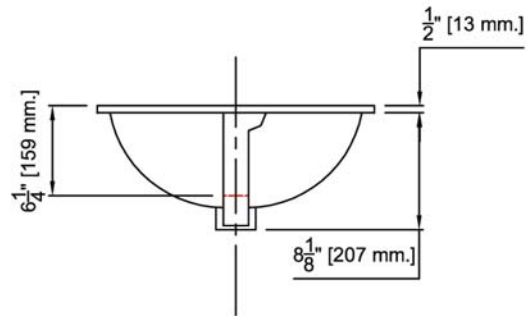
Specified Model

| Model | Description | Colors: |
|---|---------------------|---|
| 1022.000 | Undermount lavatory | <input type="checkbox"/> .01 White <input type="checkbox"/> .02 Bone <input type="checkbox"/> .06 Balsa <input type="checkbox"/> .13 Black Custom Metal Finishes: <input type="checkbox"/> .82 German Bronze <input type="checkbox"/> .90 Antique Copper |
| Accessories: | | |
| Refer to catalog and/or price book for faucet options | | |

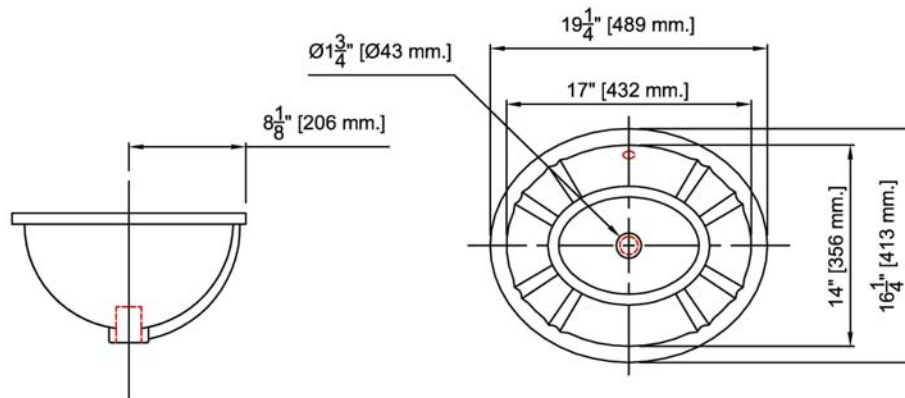
Product Specification:

The undermount lavatory shall be 19¼” in length, 16¼” in width, and 8 1/8” in depth. Undermount lavatory shall be made of vitreous china. Undermount lavatory shall have rear overflow. Undermount lavatory shall be St. Thomas Creations model 1022.000.

| Fixture: | | Included Components: | |
|-----------------------|--------------------------|----------------------|----------|
| | | Lavatory | 1022.000 |
| Drain Hole | 1 3/4" | | |
| Faucet Holes | n/a | | |
| Packaging Dimensions: | | Weight: | |
| Lavatory | 20.5"L x 17.5"W X 10.5"H | 15.5 | |



FRONT



SIDE

TOP

These measurements are subject to change or cancellation. No responsibility will be assumed for use of superseded or voided pages.